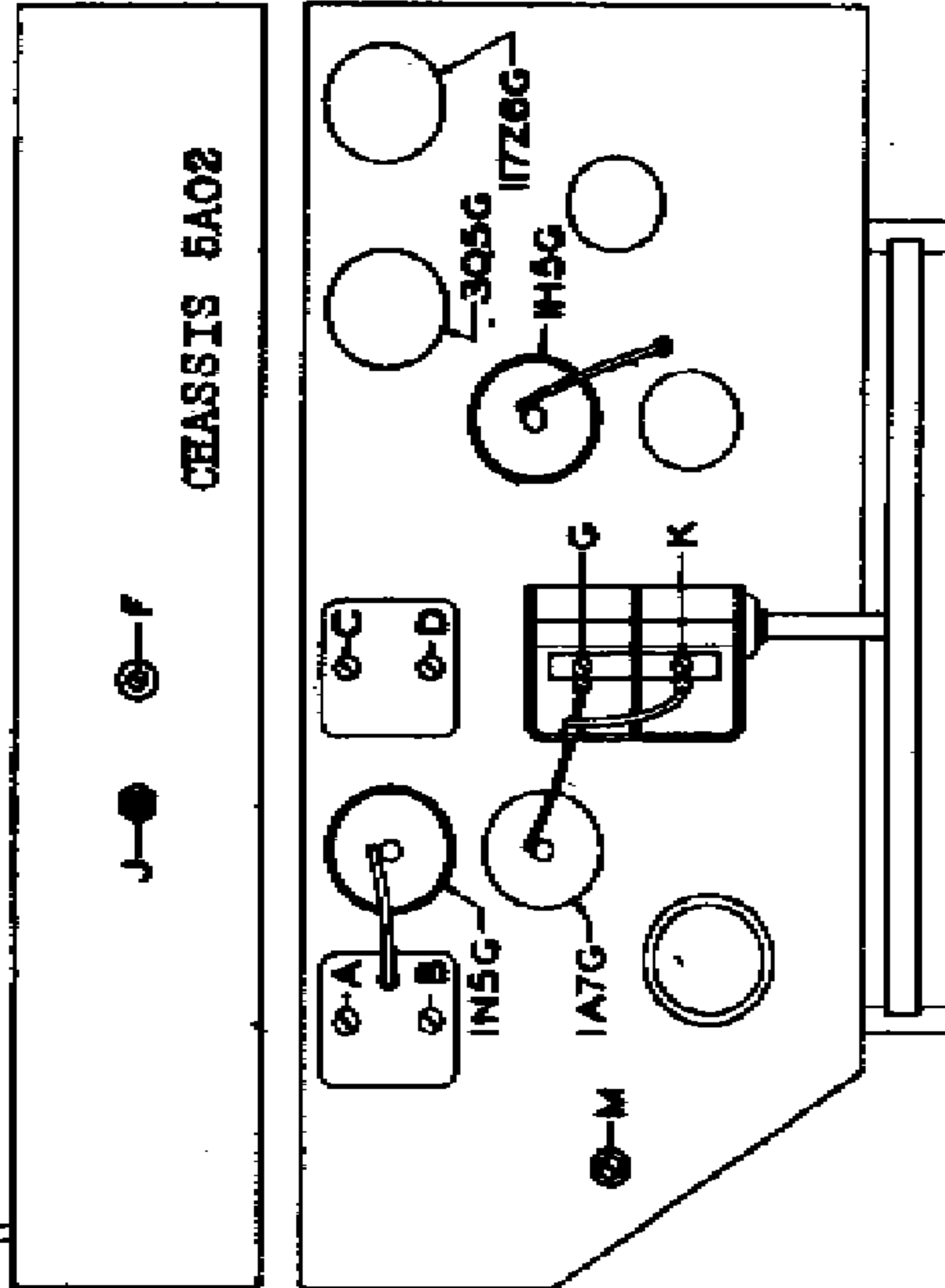
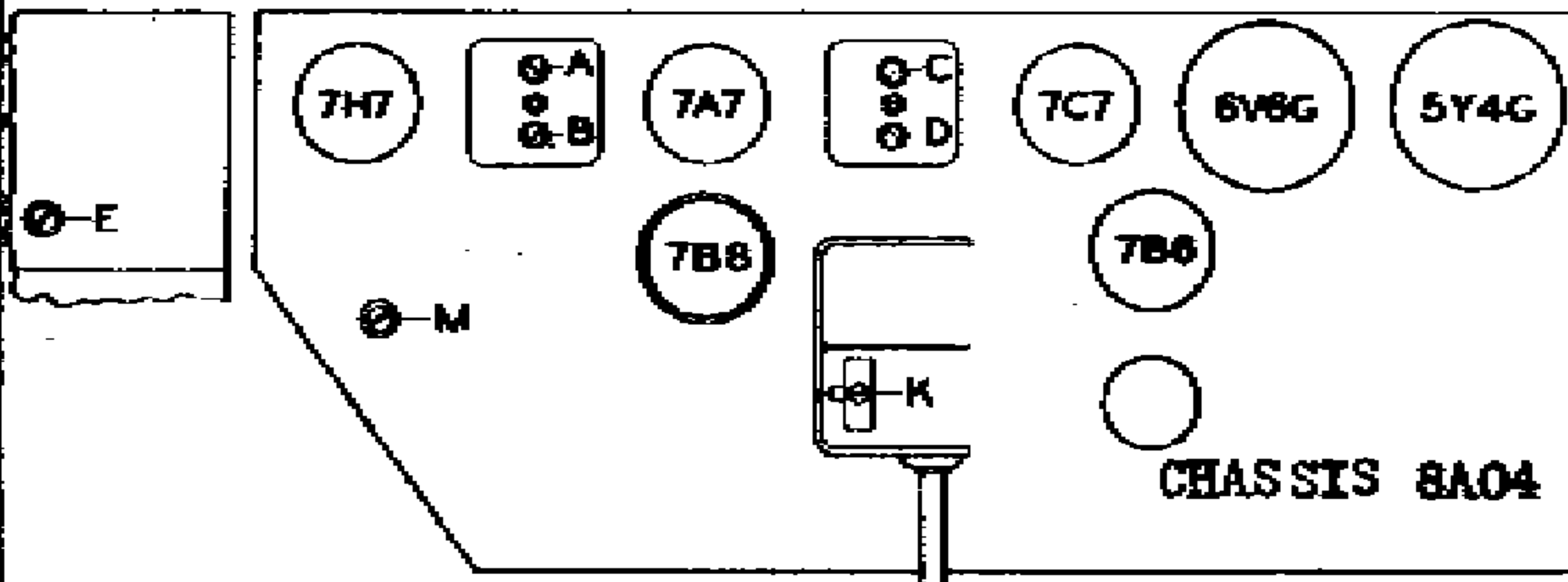
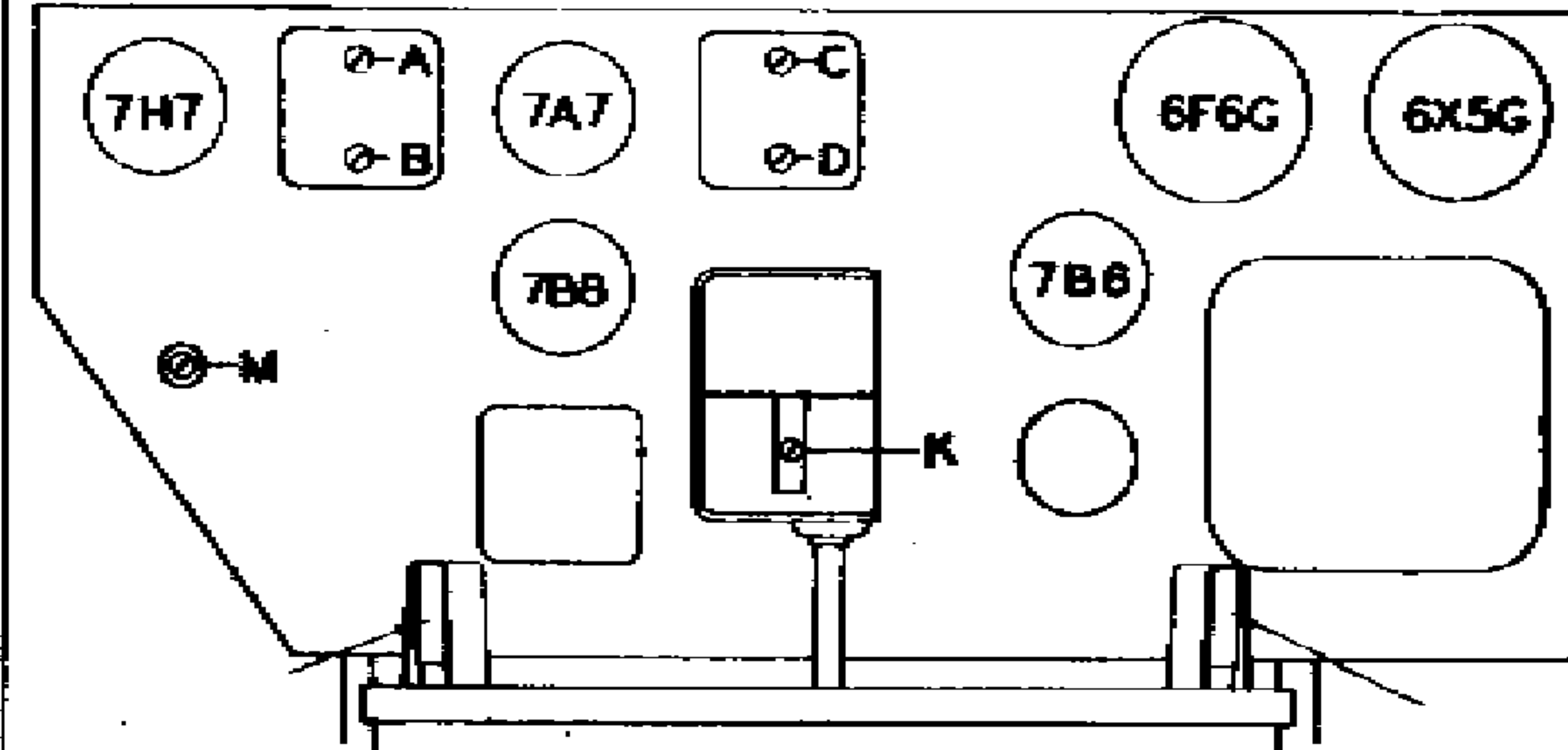
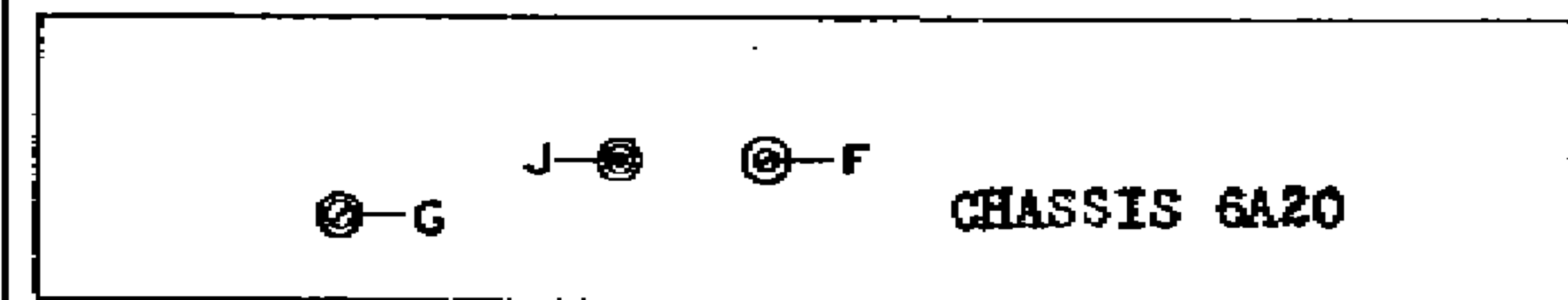


Ch. 5A02
 Ch. 6A20
 Ch. 8A04
 Ch. 10A1, 10A2

ZENITH RADIO CORP.

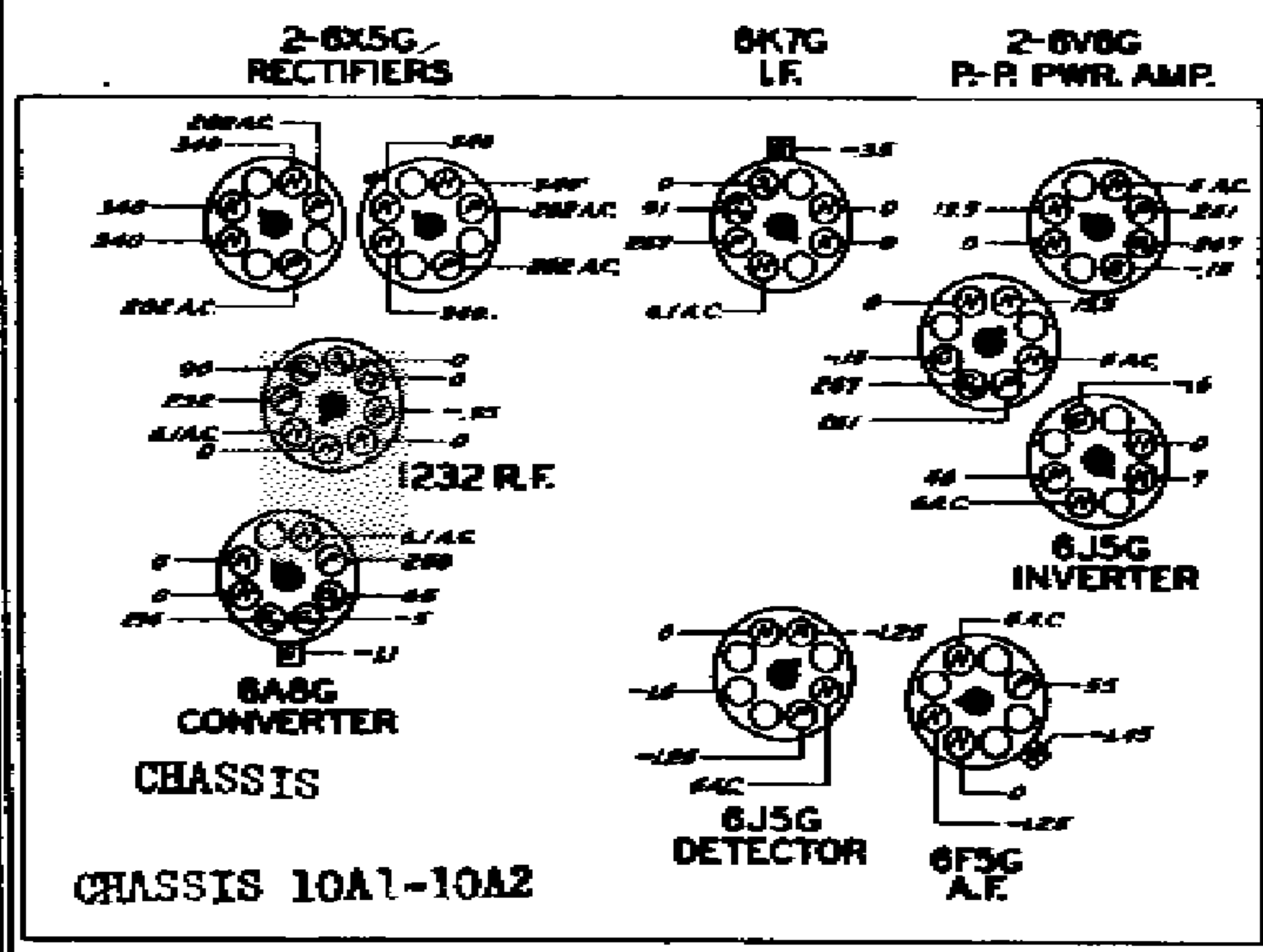


ALIGNMENT-CHASSIS 5A02
 I.F. ALIGNMENT CONVENTIONAL
 ADJUST TRIMMERS A B C D-455 KC
 TRIM K 18 MC
 TRIM F,G 1700 KC
 PAD J AT 600 KC
 TRIM M AT 18 MC

ALIGNMENT-CHASSIS 6A20
 I.F. SAME AS CHASSIS 5A02
 TRIM K AT 18 MC
 TRIM M AT 16 MC
 TRIM F,G AT 1500 KC
 PAD J AT 600 KC
 WITH 455-KC SIGNAL
 FED TO RF GRID, ADJUST
 WAVETRAP E FOR MINIMUM
 RESPONSE.

ALIGNMENT -CHASSIS 8A04
 SAME AS FOR CHASSIS 6A20

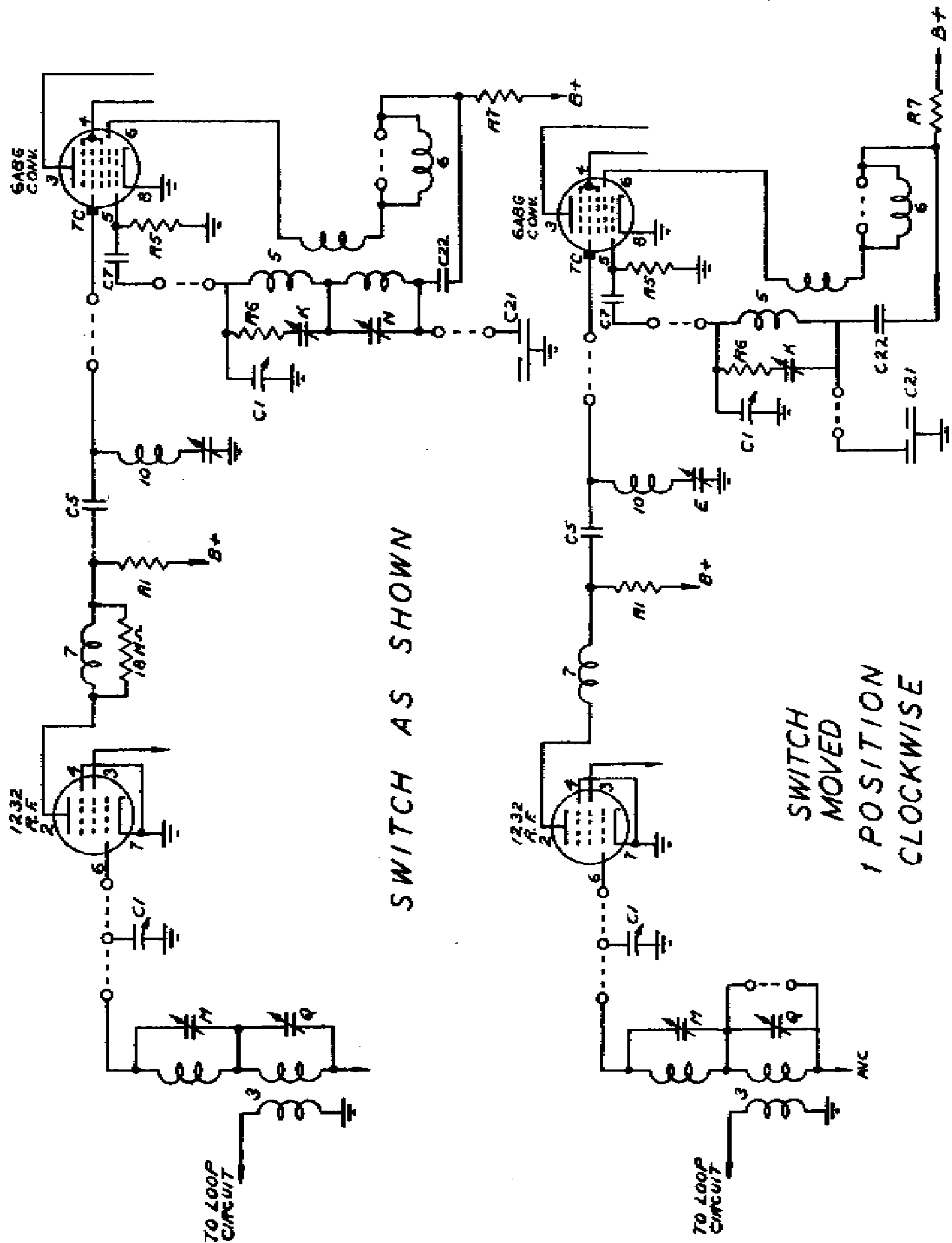
VOLTAGE DATA
 CHASSIS 10A1-10A2
 ALL VOLTAGES MEASURED WITH
 20,000 OHMS-PER-VOLT METER
 FROM CHASSIS TO POINT INDIC-
 -ATED



ZENITH RADIO CORP.

MODELS 10S-531, 10S-549,
10S-566, 10S-589,
10S-590

See Zenith Page 12-25

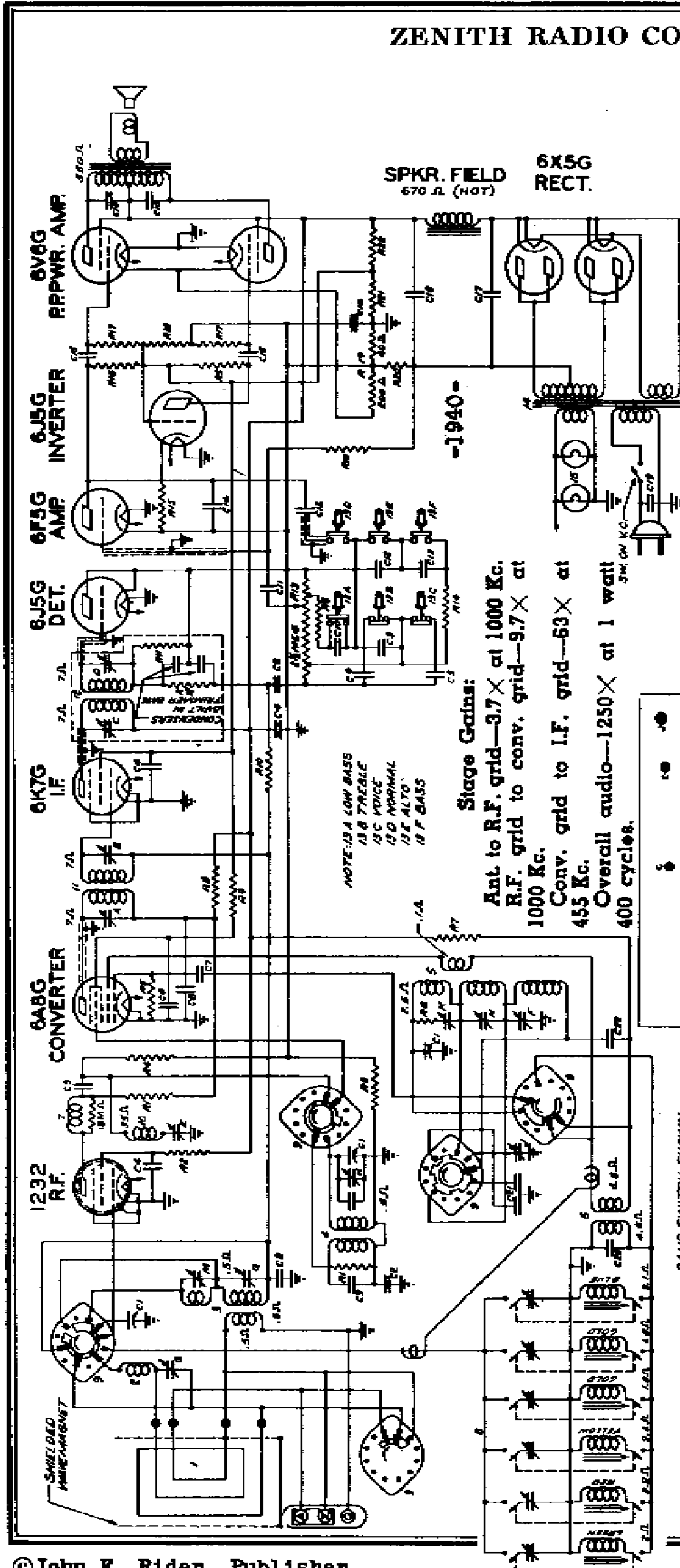


SWITCH AS SHOWN

SWITCH MOVED
1 POSITION
CLOCKWISE

ZENITH RADIO CORP.

MODELS 10S531, 10S549,
10S566, Ch. 10A1
MODELS 10S589, 10S590,
Ch. 10A2



FOR VOLTAGES SEE INDEX

I.F. 455 KC

I.F. ALIGNMENT CONVENTIONAL,

SEE SPECIAL SECTION VOL VIII

I.F. TRIMMERS A, B, C, D

WAVE TRAP B, ADJUST FOR MINIMUM

SIGNAL RESPONSE WITH SIGNAL

FED TO ANT. 455 KC

SW OSC (K) TRIM AT 18 MC

SW ANT (M) TRIM AT 16 MC

POL. (Q) TRIM AT 4.5 MC

BC OSC (P) TRIM AT 1500 KC

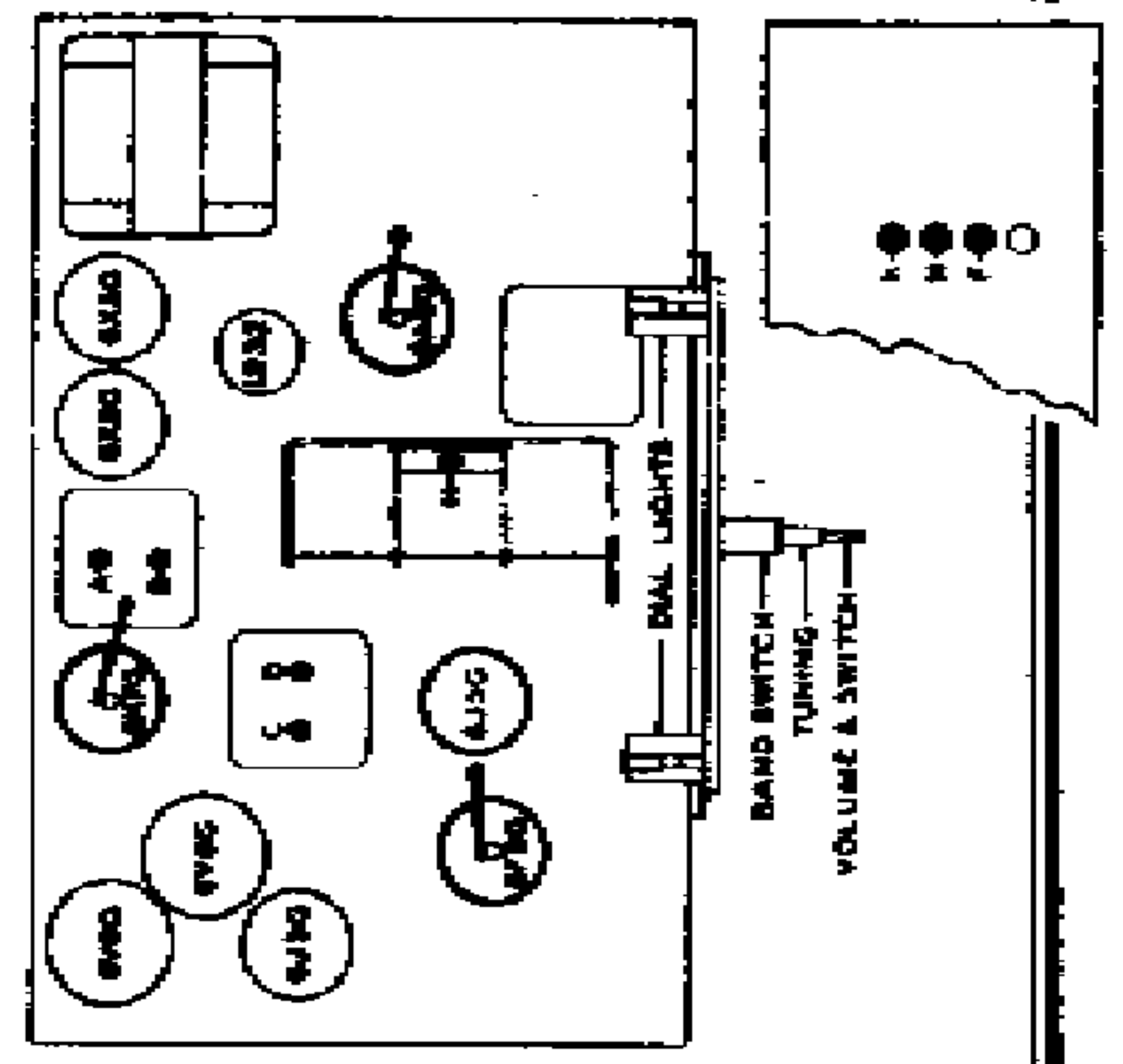
BC (G-H) TRIM AT 1400 KC

BC (J) PAD AT 600 KC

BAND SWITCH SHOWN
IN "POLICE" POSITION

Power consumption—10A1—95
watts.

Power consumption—10A2—120
watts.



Part No.	Description	Part No.	Description
C1	22-1000 THREE BAND VARIABLE	R1	63-297 4700 OHM
C2	66-004 1000 OHM	R2	63-298 100M OHM
C3	66-070 1000 OHM	R3	63-299 10M OHM
C4	66-071 1000 OHM	R4	63-300 10M OHM
C5	66-072 1000 OHM	R5	63-301 10M OHM
C6	66-073 1000 OHM	R6	63-302 10M OHM
C7	66-074 1000 OHM	R7	63-303 10M OHM
C8	66-075 1000 OHM	R8	63-304 10M OHM
C9	66-076 1000 OHM	R9	63-305 10M OHM
C10	66-077 1000 OHM	R10	63-306 10M OHM
C11	66-078 1000 OHM	R11	63-307 10M OHM
C12	66-079 1000 OHM	R12	63-308 10M OHM
C13	66-080 1000 OHM	R13	63-309 10M OHM
C14	66-081 1000 OHM	R14	63-310 10M OHM
C15	66-082 1000 OHM	R15	63-311 10M OHM
C16	66-083 1000 OHM	R16	63-312 10M OHM
C17	66-084 1000 OHM	R17	63-313 10M OHM
C18	66-085 1000 OHM	R18	63-314 10M OHM
C19	66-086 1000 OHM	R19	63-315 10M OHM
C20	66-087 1000 OHM	R20	63-316 10M OHM
C21	66-088 1000 OHM	R21	63-317 10M OHM
C22	66-089 1000 OHM	R22	63-318 10M OHM